

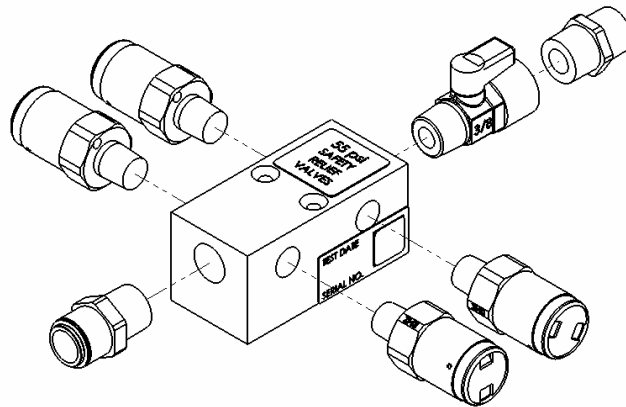
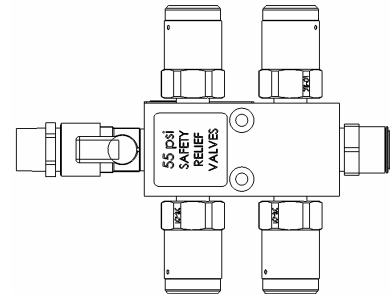
BSL Gas Technologies Limited

Mixing Knowledge and Resource Delivering Thought Provoking
Industrial Gas Solutions



BOC WEMBLEY

BOC Part No 19310912
BSL Stock Code BA405
BSLDrawing No 101046



- Sub assembly – Provides pressure relief valve protection for mixing panels
- Design pressure 13 barg
- Drawing shows assembled and exploded views
- Footprint size – 155mmx 120mm
- Main block is aluminium anodised black
- Pressure relief valves are 55 psig – Brass construction.
- Sub assembly is installed on the mixed gas outlet connection.
- The assembly is complete with a G3/8 isolating valve
- Sub assembly is identified by serial number for code of practice details and records
- Outlet connection is 1/2" tube and is designed as a push in connection.

BSL Gas Technologies Limited
No 101 Laker Road, Rochester Airport Industrial Estate
Rochester, Kent ME1 3QX



Tel ++ 44 1634 661100 Fax ++ 44 1634 671111
Email info@bslgastech.com www.bslgastech.com