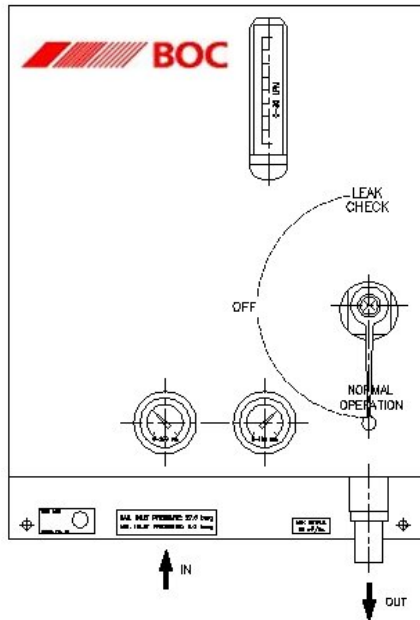


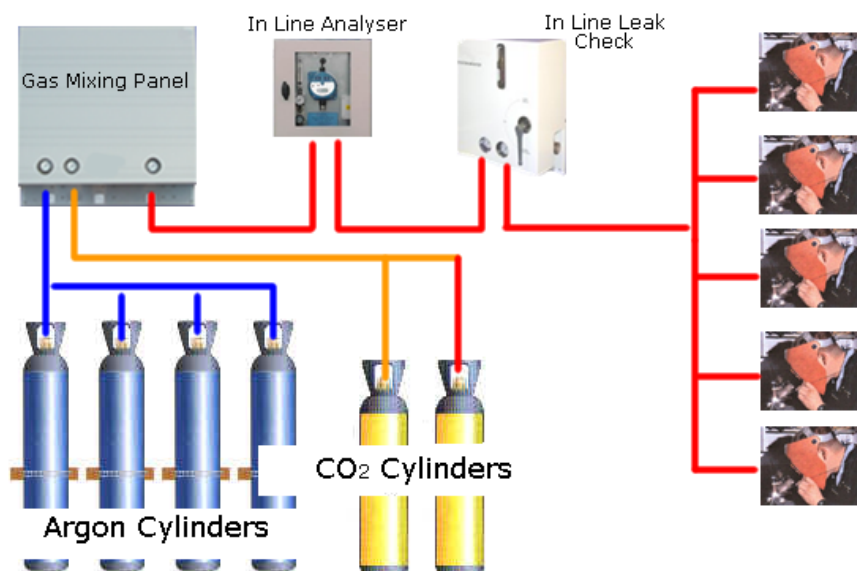
BOC LINE MONITOR



BA223 Line Monitor

A robustly designed panel for the detection, sizing and location of leaks in ring mains or supply pipe lines.

The panel shown is designed to be placed at the beginning of the ring mains supply and to handle a maximum flow of 50 nm³/hr. The panel contains a leak divert loop and a flow-meter. When the plant is not in use, the supervisor can switch the panel to leak mode and obtain an indication of the flow of gas leaking from the calibrated flow-meter.



BSL Gas Technologies Limited
 No 101 Laker Road, Rochester Airport Industrial Estate
 Rochester, Kent ME1 3QX

Tel ++ 44 1634 661100 Fax ++ 44 1634 671111
 Email info@bslgastech.com www.bslgastech.com

